

MIRA ASYMMETRIC

Taking a fresh approach to providing functional, full-room illumination. Mira's advanced optics create an asymmetric lighting distribution on walls and ceiling which reflects evenly to fully illuminate a space. Its indirect lighting design ensures a glare-free experience.



Performance

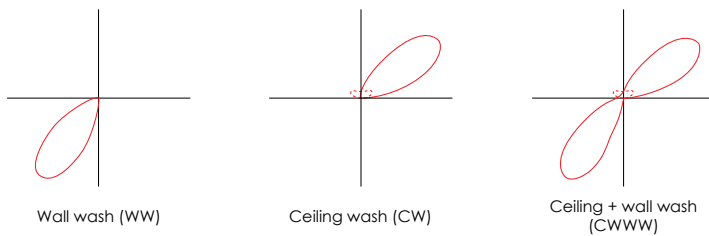
300LPF			
Distribution	Output	Input W	Efficacy
Wall Wash	324 lm/ft	2.8 W/ft	118 lm/W
Ceiling Wash	324 lm/ft	2.8 W/ft	118 lm/W
Wall + Ceiling Wash	649 lm/ft	5.5 W/ft	118 lm/W

600LPF			
Distribution	Output	Input W	Efficacy
Wall Wash	584 lm/ft	5.0 W/ft	117 lm/W
Ceiling Wash	584 lm/ft	5.0 W/ft	117 lm/W
Wall + Ceiling Wash	1167 lm/ft	10.0 W/ft	117 lm/W

1150LPF			
Distribution	Output	Input W	Efficacy
Wall Wash	1151 lm/ft	10.5 W/ft	110 lm/W
Ceiling Wash	1151 lm/ft	10.5 W/ft	110 lm/W
Wall + Ceiling Wash	2302 lm/ft	21.0 W/ft	110 lm/W

Based on static white 3500K. For the complete photometric data of this fixture go to page 3.

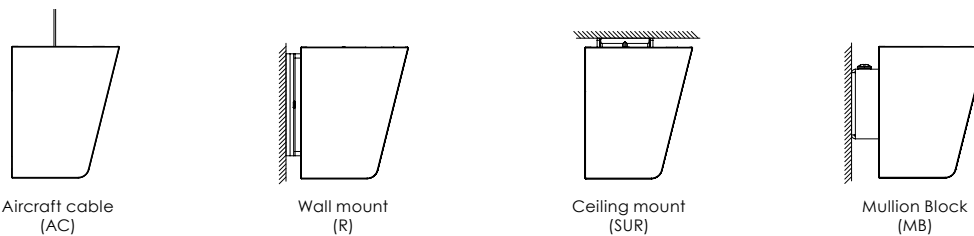
Photometric



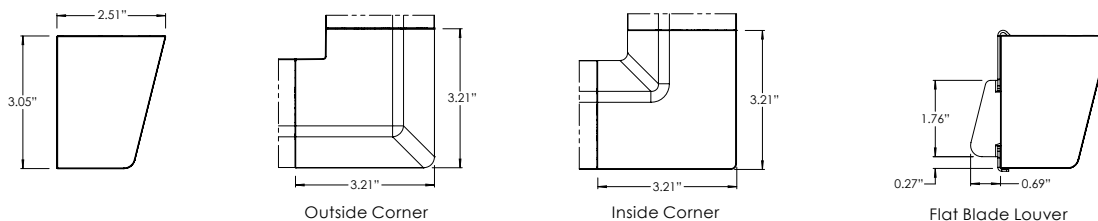
Need help?
 Don't see what you need? We know that having so many options can be overwhelming. Please reach out to our factory for any specific request or questions you have.

Our Design Assist team (designassist@alights.com) is here to make the process move smoothly.

Mounting



Dimensions



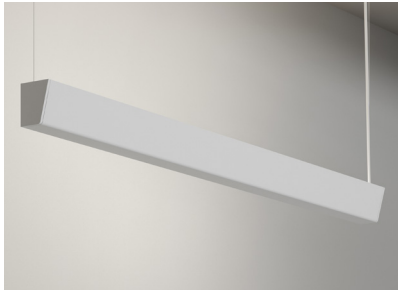
Project name

Type

Date

Quantities

SPECIFICATION GUIDE



MIRA							
SERIES	FIXTURE TYPE	DISTRIBUTION	PATTERN PLAN	TOTAL FEET	CW OUTPUT	WW OUTPUT	
MIRA	ASY Asymmetric	CW WW CWWW Ceiling wash Wall wash Ceiling wash + wall wash	REC SQ U L OPEN CLOSED Rectangle ¹ Square ¹ U-Shape ¹ L-Shape ¹ Open pattern ¹ Closed pattern ¹	_FT Specify continuous run Length or pattern in total linear length ¹	C300LPP C450LPP C600LPP C750LPP C900LPP C1150LPP Ceiling wash 300lm/ft Ceiling wash 450lm/ft Ceiling wash 600lm/ft Ceiling wash 750lm/ft Ceiling wash 900lm/ft Ceiling wash 1150lm/ft	W300LPP W450LPP W600LPP W750LPP W900LPP W1150LPP Wall wash 300lm/ft Wall wash 450lm/ft Wall wash 600lm/ft Wall wash 750lm/ft Wall wash 900lm/ft Wall wash 1150lm/ft	
			¹ Corners are unit.	¹ Specify in feet to the nearest foot (i.e. 8). Minimum fixture length is 2'.	Nominal output. Refer to performance table on page 3 for exact output lm/ft.		Nominal output. Refer to performance table on page 3 for exact output lm/ft.

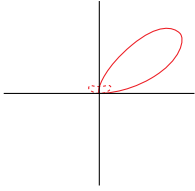
CCT	CRI	SHIELDING	VOLTAGE	CIRCUITING	DIMMING
27K 30K 35K 40K TW Ceiling wash 2700K Ceiling wash 3000K Ceiling wash 3500K Ceiling wash 4000K Ceiling wash 2700K-5000K tunable white	80CRI 90CRI Ceiling wash 80+ CRI Ceiling wash 90+ CRI	(blank) FBL None Wall wash flat blade louver ¹	MVOLT 347 Multi volt (120-277) 347V ¹	(blank) MULTI Single circuit Dual circuit	ZT DALI NLTAIR2 0-10V Dimming ¹ DALI nLight AIR ²
			¹ Not offered with tunable white	¹ 1% Dimming standard unless otherwise specified. ² nLight AIR components completely integrated into fixture. Not available with 347V or emergency battery or ceiling/surface.	

EMERGENCY	MOUNTING	CANOPY COLOR	EXTERIOR FINISH	POWER FEED PLACEMENT
(blank) EMBATT_ EC None Integral battery ¹ Emergency circuit ²	AC_ SUR R MB_ Aircraft cable ¹ Ceiling/surface ² Direct Wall ³ Mullion block ³	CANWHT CANBLK White Black	WHT BLK TNM RAL CCM White Black Titanium RAL# Custom color match	RTF LTF RSF LSF Right top endcap feed ¹ Left top endcap feed ¹ Right side endcap feed ² Left side endcap feed ²
¹ Factory-installed emergency battery pack. Specify desired quantity of batteries. Not available on fixtures <4' length. Not available for 347V. See technical data for more information. ² For dedicated LED sections being on emergency circuit contact Design Assist for details.	¹ Specify cable length to nearest inch. 4" minimum. Standard 48" field adjustable cable. to nearest inch if over 48". Not rated for outdoor usage. ² Wall wash only ³ Enter 1 for 1" depth. Enter 5 for 1/2" depth. Ceiling wash only.			¹ All fixtures to be provided with top feed with exemption of direct wall mount and mullion block mount. ² Surface/ceiling mount fixtures to be provided with top feed. Please specify side feed when required.

Photometric data

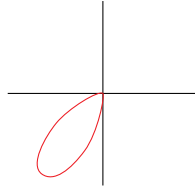
CEILING WASH
1150LPF - 3500K

Lumens: 1151 lm/ft
Input watts: 10.5 W/ft
Efficacy: 110 lm/W



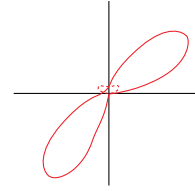
WALL WASH
1150LPF - 3500K

Lumens: 1151 lm/ft
Input watts: 10.5 W/ft
Efficacy: 110 lm/W



CEILING AND WALL WASH
1150LPF - 3500K

Lumens: 2302 lm/ft
Input watts: 21 W/ft
Efficacy: 110 lm/W



Light Loss Factors (LLF)

MIRA (asymmetric)									
Output	CCT	LLF ratio		CW (ceiling wash)		WW (wall wash)		CWWW (ceiling + wall wash)	
		CRI 80+	CRI 90+	CRI 80 +	CRI 90 +	CRI 80 +	CRI 90 +	CRI 80 +	CRI 90 +
1150LPF	4000k	101.6%	84.4%	1170 lm/ft	971 lm/ft	1170 lm/ft	971 lm/ft	2340 lm/ft	1943 lm/ft
	3500k	100.0%	83.5%	1151 lm/ft	961 lm/ft	1151 lm/ft	961 lm/ft	2302 lm/ft	1922 lm/ft
	3000k	97.3%	81.7%	1119 lm/ft	940 lm/ft	1119 lm/ft	940 lm/ft	2239 lm/ft	1881 lm/ft
	2700k	94.3%	79.5%	1085 lm/ft	915 lm/ft	1085 lm/ft	915 lm/ft	2171 lm/ft	1830 lm/ft
600LPF	4000k	101.6%	84.4%	594 lm/ft	493 lm/ft	594 lm/ft	493 lm/ft	1186 lm/ft	1186 lm/ft
	3500k	100.0%	83.5%	584 lm/ft	488 lm/ft	584 lm/ft	488 lm/ft	1167 lm/ft	974 lm/ft
	3000k	97.3%	81.7%	568 lm/ft	477 lm/ft	568 lm/ft	477 lm/ft	1135 lm/ft	953 lm/ft
	2700k	94.3%	79.5%	551 lm/ft	464 lm/ft	551 lm/ft	464 lm/ft	1100 lm/ft	928 lm/ft
300LPF	4000k	101.6%	84.4%	329 lm/ft	273 lm/ft	329 lm/ft	273 lm/ft	660 lm/ft	548 lm/ft
	3500k	100.0%	83.5%	324 lm/ft	271 lm/ft	324 lm/ft	271 lm/ft	649 lm/ft	542 lm/ft
	3000k	97.3%	81.7%	315 lm/ft	265 lm/ft	315 lm/ft	265 lm/ft	631 lm/ft	530 lm/ft
	2700k	94.3%	79.5%	306 lm/ft	258 lm/ft	306 lm/ft	258 lm/ft	612 lm/ft	516 lm/ft

Maximum run length per power drop

Maximum current per run length is 5.5Amps. Run lengths per power drop are calculated by multiplying the max current by the voltage of the circuit, then dividing the result by the consumption per foot.

For example : $(5.5A * 120V) / (10W/ft) = 66ft$ per power drop.



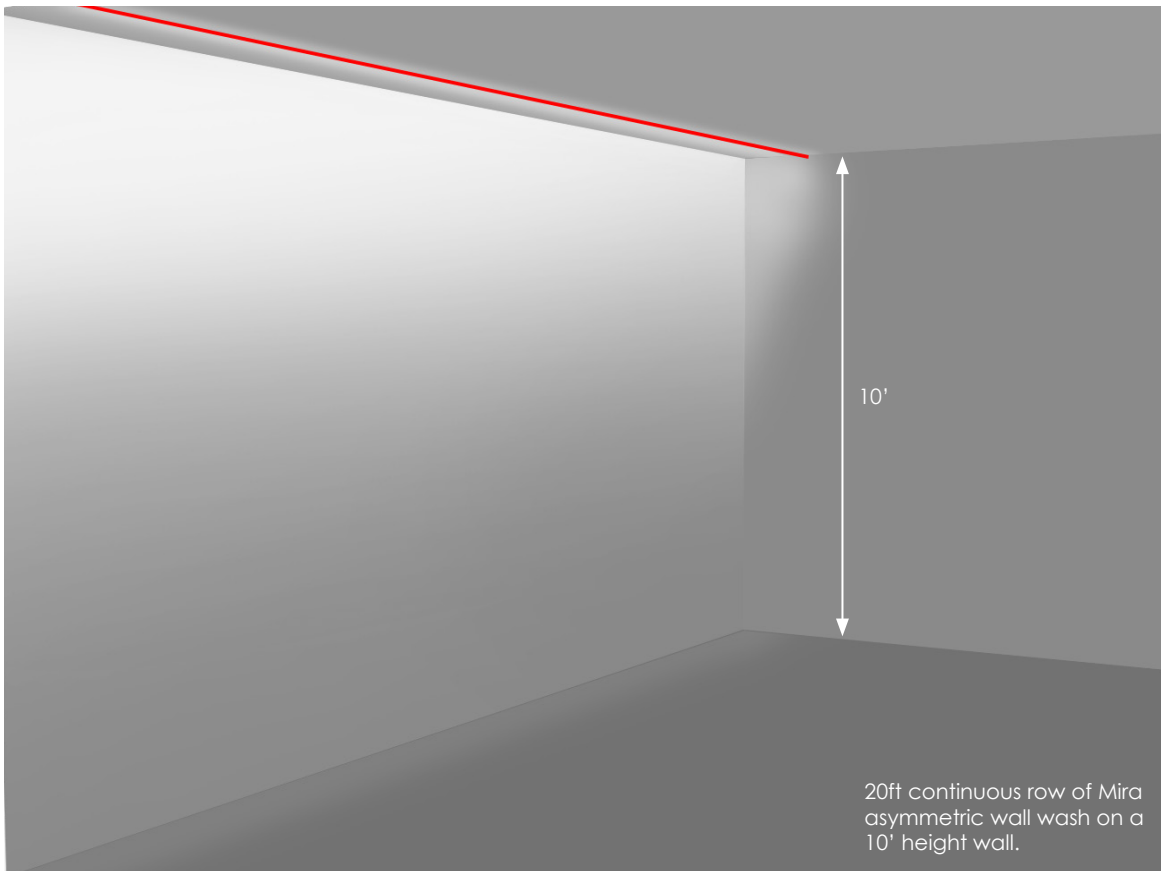
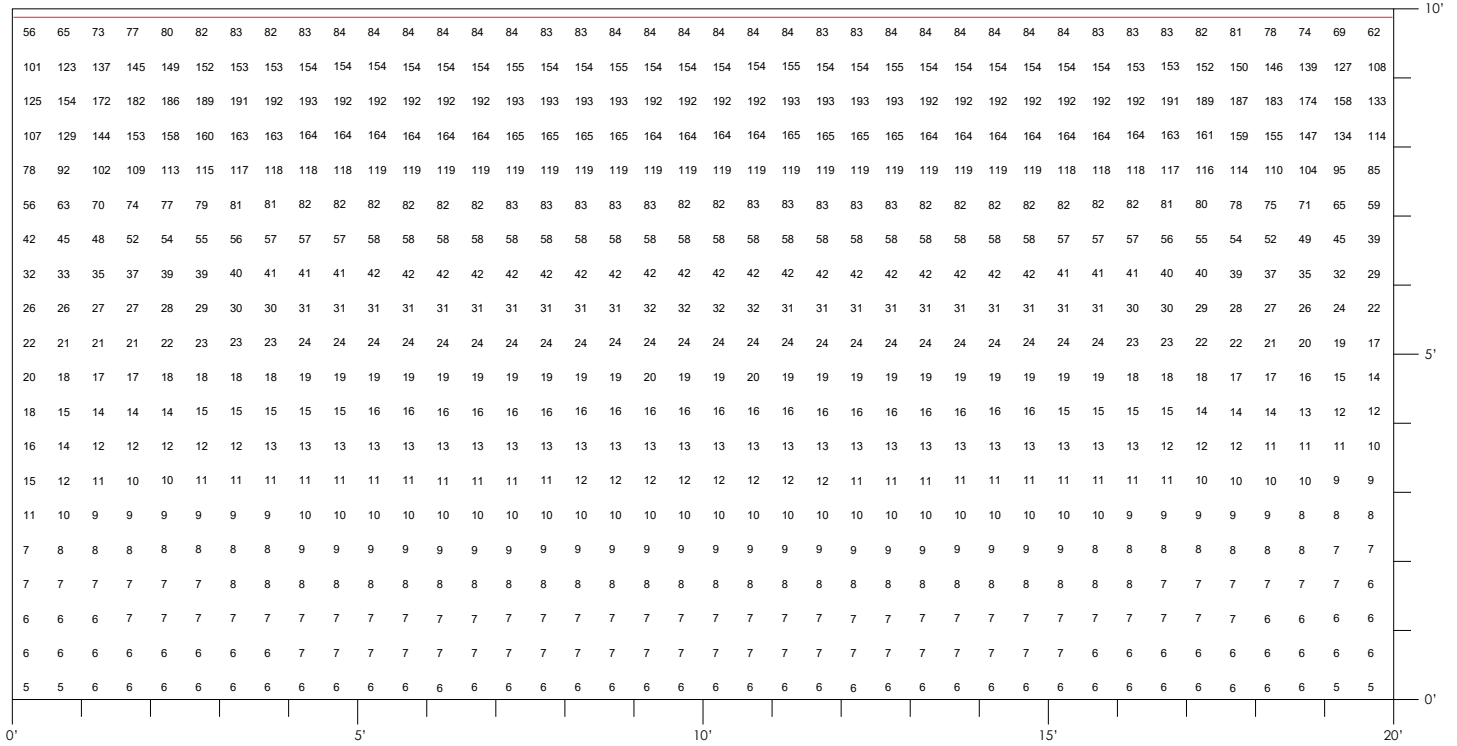
Need several power drops for continuous rows? Have questions?

We know that having so many options can be overwhelming. Please reach out to our factory for any specific request or questions you have.

Our Design Assist team (designassist@allights.com) is here to make the process move smoothly.

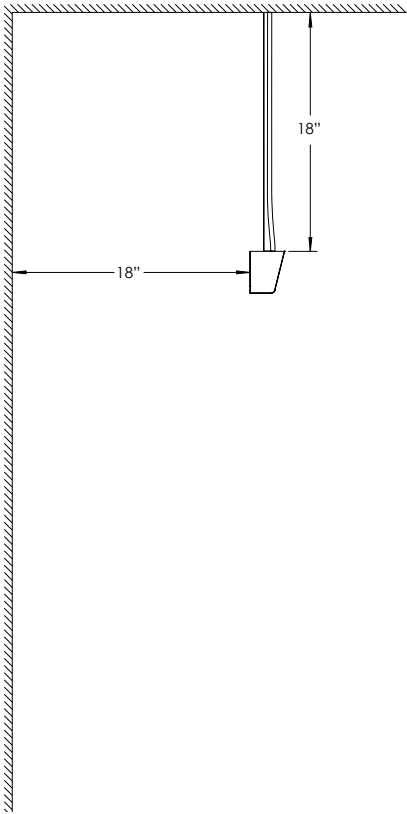
Footcandle distribution

Example of a surface luminaire installed 18" from the wall. Luminaire configuration is 20ft run, wall wash, surface, 600LPF (5W/ft), 3500K.



Description	Average	Max	Min	Max/Min	Avg/Min
Wall wash	51 fc	193 fc	5 fc	38.6:1	10.2:1

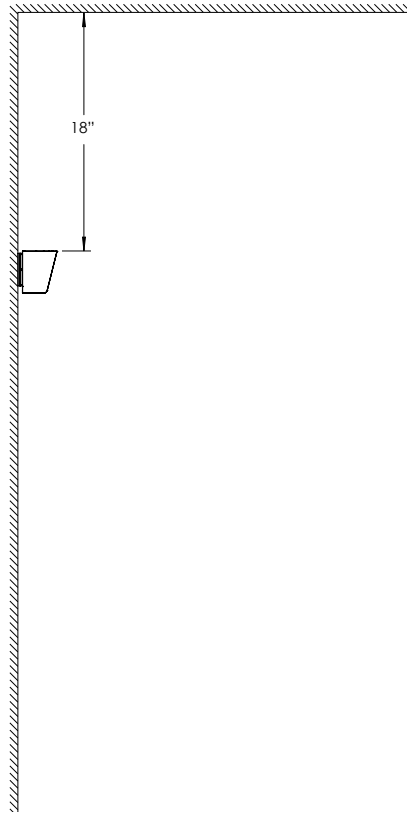
Installation



Aircraft cable

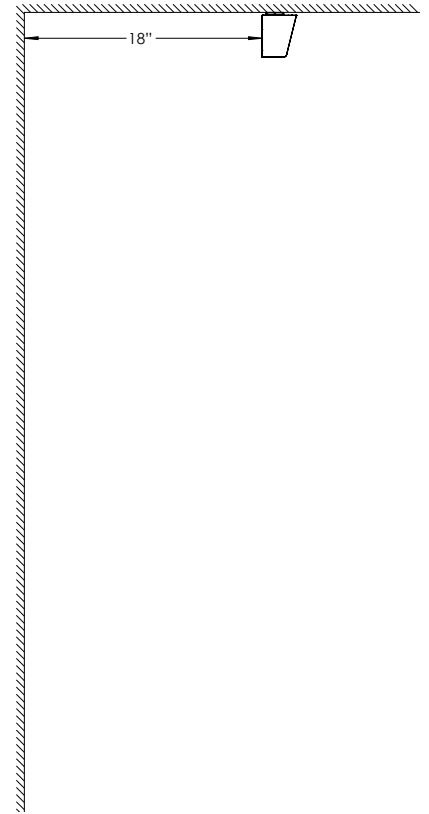
Distance from wall and ceiling : 12-18"
(recommended 18")

Note : For configuration using wall wash only, we recommend to use ceiling mount fixtures. Or pendant mount fixtures when fixture distance from ceiling exceeds 30 inches.



Wall mount

Distance from ceiling : 12-18"
(recommended 18")

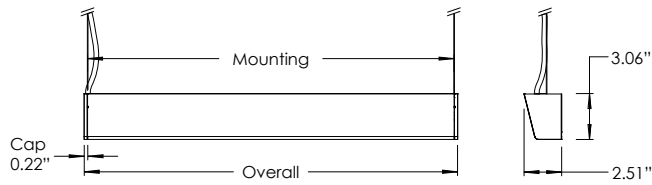


Ceiling mount

Distance from wall : 12-18"
(recommended 18")

Dimensions

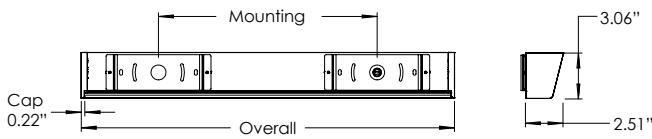
Aircraft cable



	DIMENSIONS (NOMINAL)						
	2'	3'	4'	5'	6'	7'	8'
Mounting *	24.50"	36.50"	48.00"	60.00"	72.00"	84.00"	96.00"
Overall	24.98"	36.98"	48.48"	60.48"	72.48"	84.48"	96.48"

* Fixed mounting points

Wall mount (ceiling wash only)

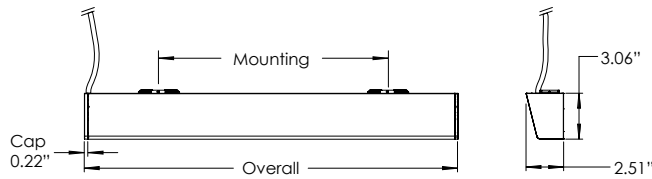


	DIMENSIONS (NOMINAL)						
	2'	3'	4'	5'	6'	7'	8'
Mounting *	14.62"	26.62"	38.12"	50.12"	62.12"	74.12"	86.12"
Overall	24.98"	36.98"	48.48"	60.48"	72.48"	84.48"	96.48"

* Fixed mounting points

*2,3,4,5,6' two mounting brackets. 7 and 8', three mounting brackets with the middle one centered.

Ceiling surface mount (wall wash only)

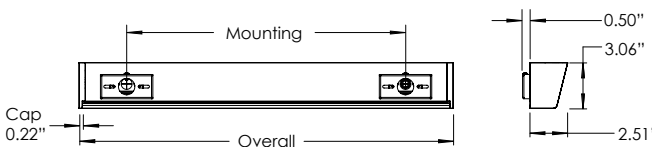


	DIMENSIONS (NOMINAL)						
	2'	3'	4'	5'	6'	7'	8'
Mounting (max) *	19.12"	31.12"	42.62"	54.62"	66.62"	78.62"	90.62"
Overall	24.98"	36.98"	48.48"	60.48"	72.48"	84.48"	96.48"

*Adjustable mounting points

*2,3,4,5,6' two mounting brackets. 7 and 8', three mounting brackets with the middle one centered.

Mullion block (ceiling wash only)



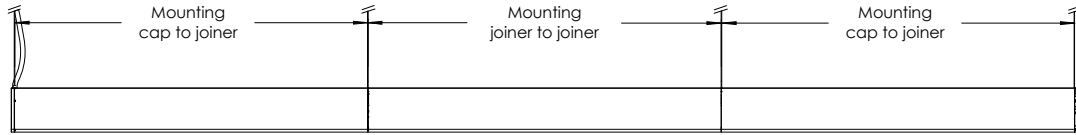
	DIMENSIONS (NOMINAL)						
	2'	3'	4'	5'	6'	7'	8'
Mounting *	18.62"	30.62"	42.12"	54.12"	66.12"	78.12"	90.12"
Overall	24.98"	36.98"	48.48"	60.48"	72.48"	84.48"	96.48"

* Fixed mounting points

*2,3,4,5,6' two mounting brackets. 7 and 8', three mounting brackets with the middle one centered.

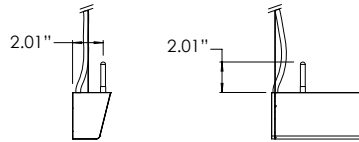
SPECIFICATION GUIDE

Row mounting

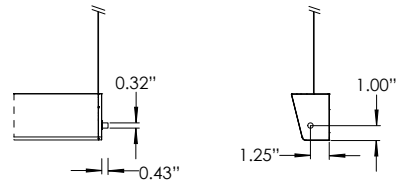


	DIMENSIONS (NOMINAL)						
	2'	3'	4'	5'	6'	7'	8'
Mounting Cap to joiner	24.50"	36.50"	48.00"	60.00"	72.00"	84.00"	96.00"
Overall Joiner to joiner	24.50"	36.50"	48.00"	60.00"	72.00"	84.00"	96.00"

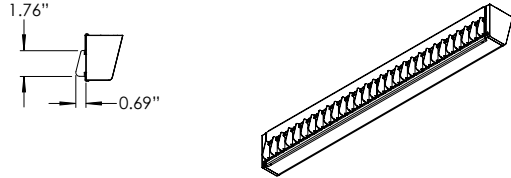
nLight Air antenna position



Emergency battery button position

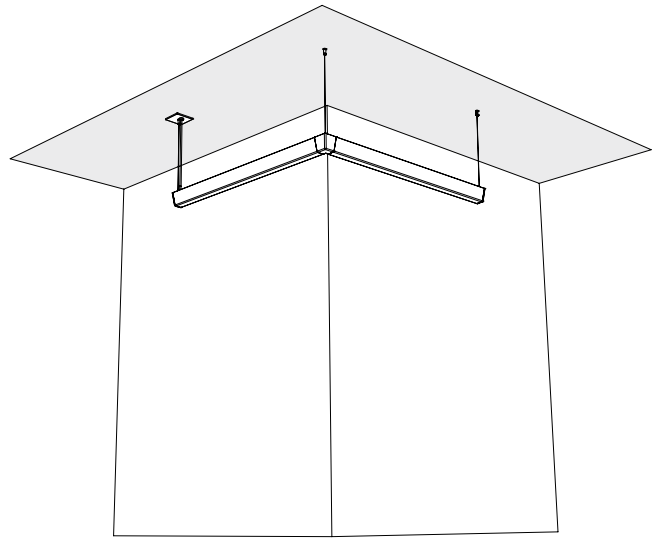
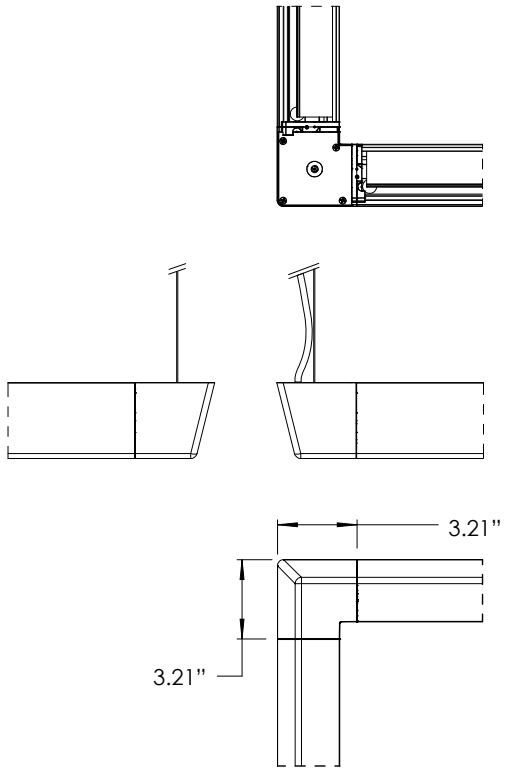


Louver

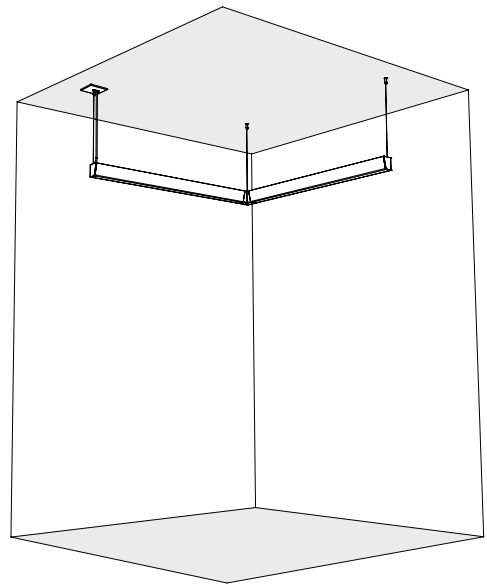
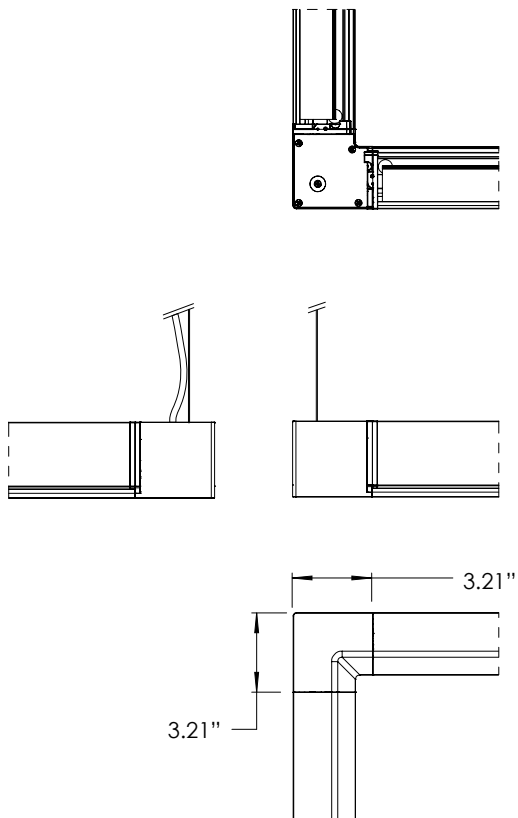


Dimensions

Outside Corner



Inside Corner



LINEAR DIMENSIONS

2', 3', 4', 5', 6', 7' and 8' nominal length as individual fixtures or joined to create continuous row lengths, minimum fixture lengths is 2 feet. Patterns comprised of 90° joiners provide a multitude of geometric options and architectural transitions.

Custom - Contact Design Assist for modifications to product not detailed within the specification sheets.

OPTICS

Mira uses advanced in-house developed optics to create a stunning asymmetric light distribution. The meticulously designed extraction features on the edge lit optics allow the light to reach far forward, creating a beautiful and impactful illumination.

LED LIGHT SOURCE

Custom manufactured linear board array uses high performance Nichia® LEDs in combination with a performance driven heat sink technology. Tested in accordance with LM79 and LM-80; L70>60,000hr; operated at reduced output for high efficacy and lumen maintenance. 2700K, 3000K, 3500K, and 4000K with standard 80+ CRI; other color temperatures and 90+ CRI available. LED color variation is maintained at a 3-step MacAdam ellipse (SDCM 3x). LEDs are available in Standard and High outputs. Refer to photometry for delivered lumens.

LED DIMMING DRIVER

Standard constant voltage 120-277V electronic driver with 0-10V dimming control is standard. Specification grade dimming down to 1%. Max Driver life of 50,000 hrs with ambient operating temperature range of -20°C to 50°C, maximum case temperature of 80°C. Electrical specifications at maximum driver load: PF >0.90, THD < 20%, >90% Efficiency.

EMERGENCY

This luminaire is available with a factory installed LED emergency lighting battery pack for both normal and emergency operation, 120-277V only. This fixture integrated unit contains long-life Ni-Cad recyclable batteries, 24-hour charger, and converter circuit. Test switch and charge indicators provided. Integral test button. Emergency mode provides constant power to a nominal 12W LED load for a period of 90 minutes. Please consult the factory for emergency configuration assistance. Our Design Assist team (designassist@alights.com) is always available for collaboration and specification support.

MOUNTING

Suspension with aircraft cables includes 48" standard length 1/16" stainless steel adjustable aircraft cables with secure ceiling grippers to field set suspension length. 4-1/2" x 4-1/2" square white canopies, unless otherwise noted. Cord strain also included for power canopies. Black power cord provided for black and titanium finish. White power cord provided for all other fixture finishes unless otherwise specified.

Direct wall mounting comes with wall brackets that can be installed directly on the wall on a junction box. (2) wall brackets are provided for fixtures less than 7ft. Fixtures longer than 7ft are provided with (3) brackets. Power feed holes are pre-drilled and mounting hardware is pre-installed at the factory to the fixture housing.

Surface ceiling is offered with die-cast mounting blocks with sheet metal brackets used to provide a firm flexible mounting option.

Mullion blocks are used to mount fixtures to a horizontal window mullion and can also be used to offset fixtures from the wall. 1/2" and 1" offsets are available standard. Custom offsets are also available upon request. (2) Mullion blocks are provided for fixtures less than 7ft. Fixtures longer than 7ft are provided with (3) blocks. Power feed holes are pre-drilled and mounting hardware is pre-installed at the factory to the fixture housing.

NLIGHT® AIR WIRELESS

The integrated API smart sensor is part of each luminaire in the nLight® AIR network, which can be grouped to control multiple luminaires. The granularity of control with the digital PIR occupancy detection and daylight sensing makes a great solution for any application. Optionally you can order nLight® AIR sensors for compatibility with an nLight Air wireless system. The rIO model are available for integration nLight enabled, remote mounted controls provided by others. Please contact an Acuity controls representative for more information.

STRUCTURE

Robust, high quality 60% recycled aluminum extruded housing. Precision die-casted aluminum joiners and endcaps. 2 lbs/ft approximate fixture weight.

FINISH

Electrostatically applied powder coat finish. Standard finish options include titanium, white, and black. Other colors and custom finish options available, specify RAL# or contact factory regarding custom finish requirements. Canopy and cover plates standard finish is white, unless otherwise noted.

LISTING

UL/CUL rated for Damp Locations. Tested in accordance with UL 1598 and certified to CEC/CSA C22.2.

The Mira is assembled in the U.S.A. and comply with the Buy America(n) Act (BAA), Build America, Buy America (BABA) government procurement requirements under FAR, DFARS, and DOT.

WARRANTY

Visit our website to learn more: www.alights.com/downloads/warranty/